

Optimize your EMC test system

Configure your fully automated EMC test system with the extensive range of Raditeq products!

For more information about Raditeq's EMC and RF products, visit our website at www.raditeq.com



Raditeq Featured products



Automated EMC & RF software

Electric Field Probes



Electric Field Generators



Modular test systems



Quick Start Guide



RadiSense® Electric Field Probe

Models:
RSS2026S | RSS2026B
RSS2040S | RSS2040B



For all Manuals, Datasheets and Quick start Guides, please visit:
www.raditeq.com/support/downloads

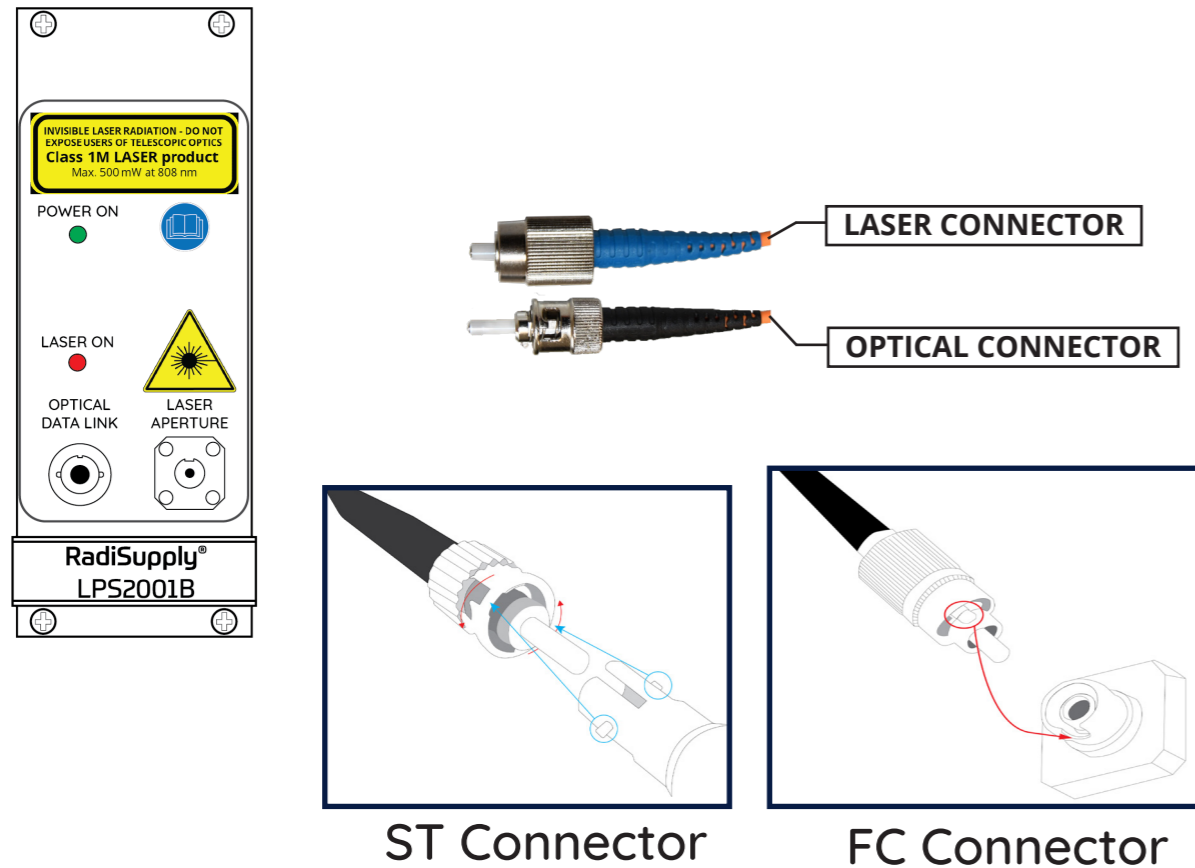
Publish date: 28/05/2021

RadiSense® Quick Start Guide

RadiSense® Quick Start Guide

How to connect the RadiSense® 26 - 40

1. Connect the LASER connector (FC/PC) of the probe to the "LASER APERTURE" connector of the RadiSupply®.
2. Connect the data connector (ST/PC) to "OPTICAL DATA LINK" connector of the RadiSupply®.



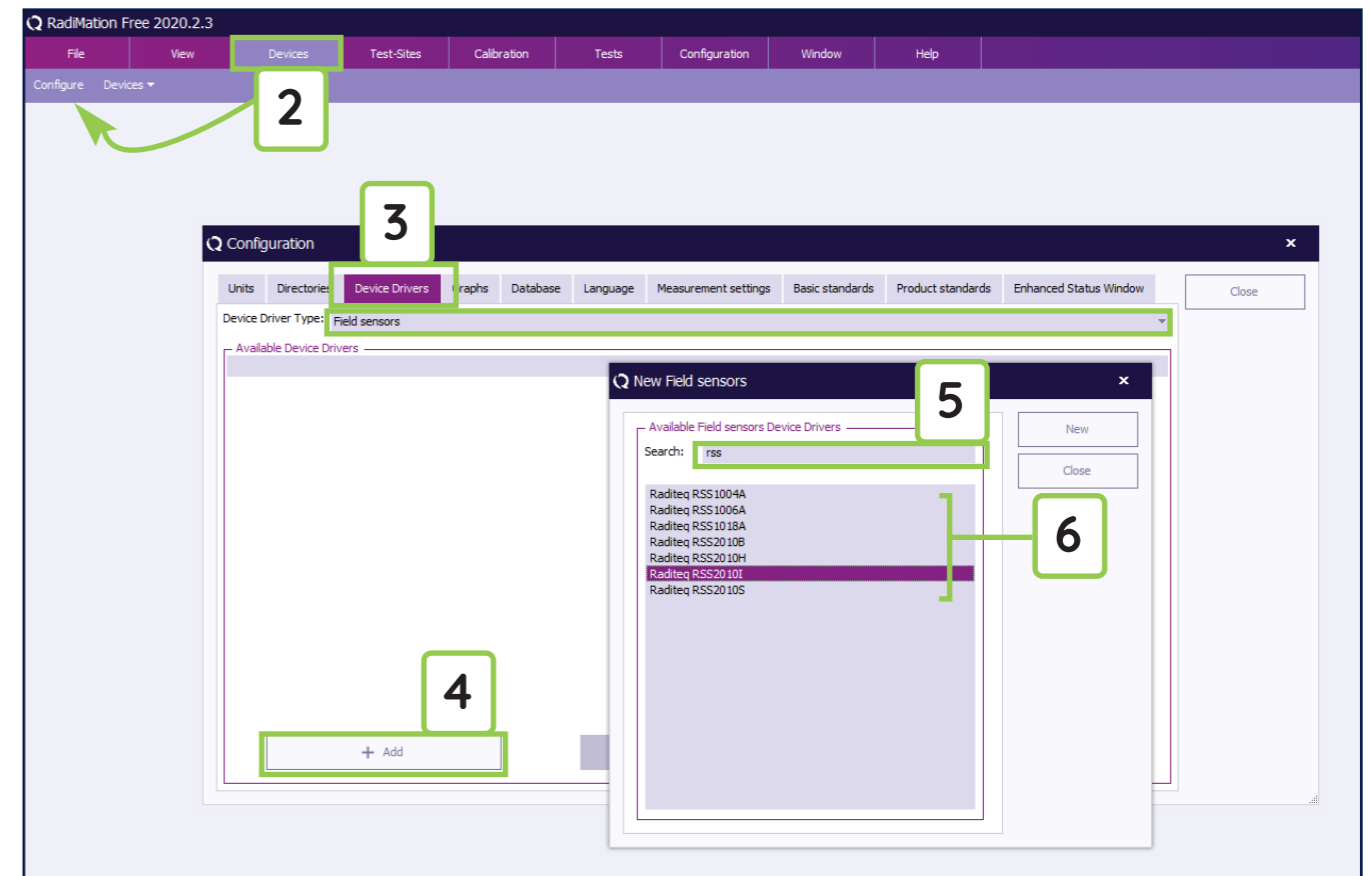
Manual Control through RadiCentre® PRO(+)

- Press the 'status' box and (within 4 sec.) the 'Ack' button to activate the Laser of the power supply.
- Press the 'ZERO' button to zero the probe. After zeroing is finished, the box will display the isotropic field.
- Press the 'status' box to enter the control screen for more advanced data.



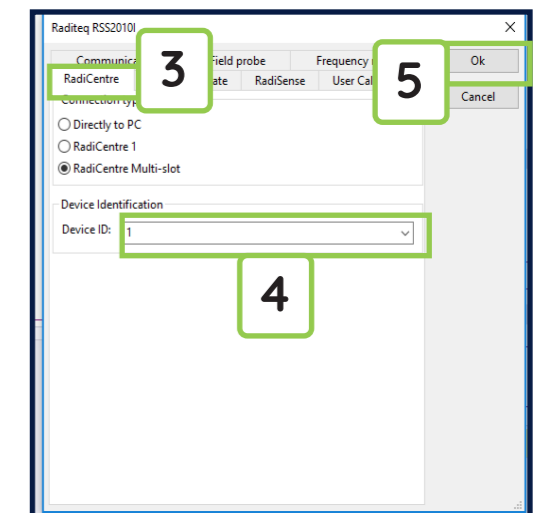
How to configure the RadiSense® in RadiMation®

1. Start the latest version of RadiMation®; <https://www.raditeq.com/radimation-download>
2. Select the button 'Device' at the top menu bar, followed by clicking 'Configure';
3. In the configuration screen select 'Device Drivers' and Select 'Field Sensors' as driver type;
4. Click the 'Add' button to open the selection of available drivers in RadiMation®;
5. Enter 'RSS' in the search bar which will show all available RadiSense® drivers;
6. Select the correct driver, double click it (Optional, rename it) and press 'OK'.



How to connect the RadiSense® to the RadiCentre®

1. Select the recently added RadiSense® driver
2. Select 'Advanced'
3. Click on the tab 'RadiCentre®'
4. Under device identification select the RadiCentre® slot number the RadiSense® plug-in card is installed in
5. When the correct slot number is chosen, continue to set the communication of the RadiSense® by clicking 'Communication'



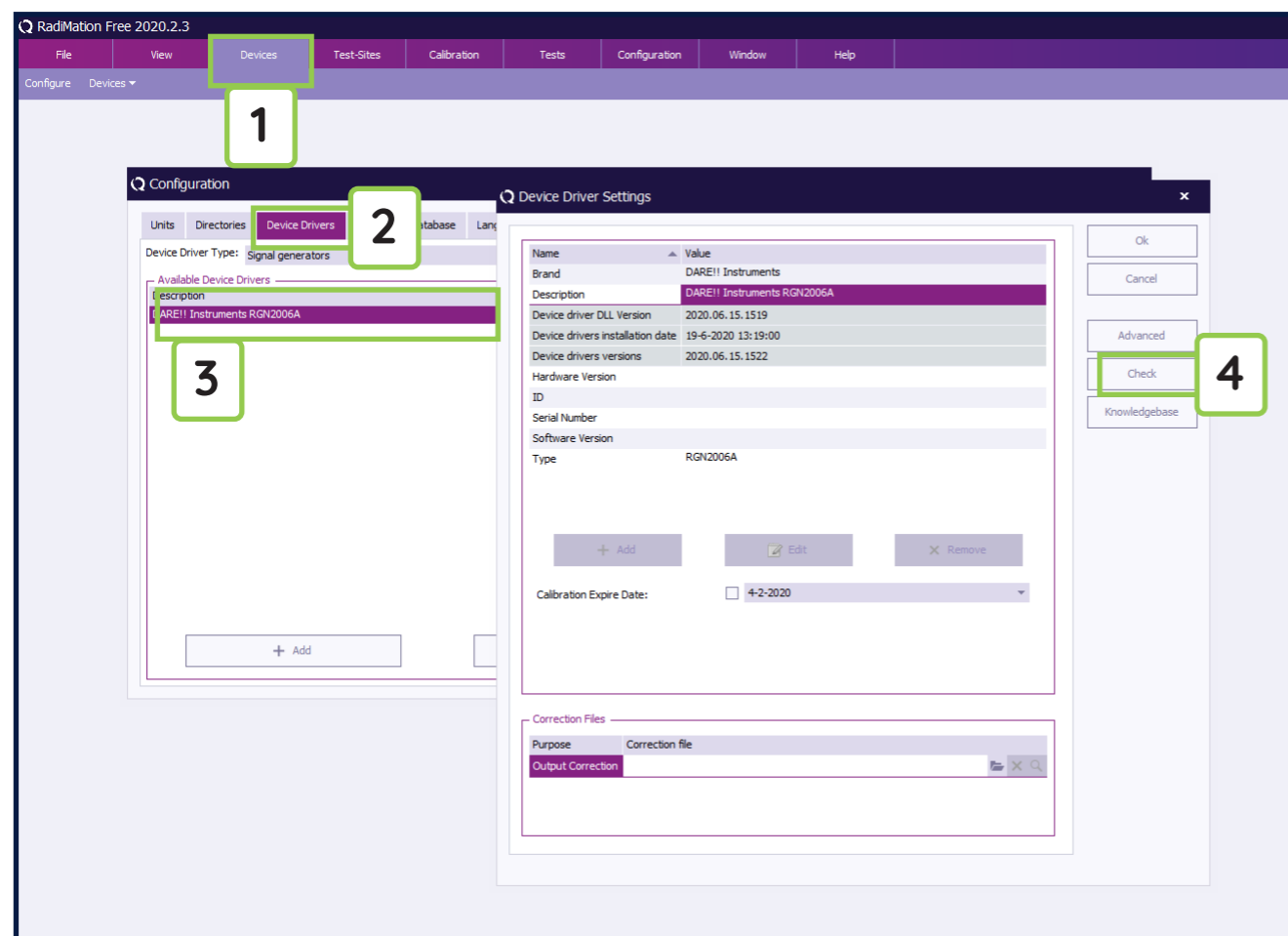
RadiSense® Quick Start Guide

RadiSense® Quick Start Guide

How to check whether the RadiSense® is connected to RadiMation

For the best experience make sure that the most recent RadiMation® update is installed. Make sure that all Equipment is correctly connected and turned on.

1. Select Devices in the top menu bar
2. Open Device Drivers and select Device driver Type: Field Sensors
3. Double Click the Recently configured RadiSense® or click edit.
4. Finally select the Check button on the right side of the opened screen.
5. When correctly Configured RadiMation® will notify you that the device was installed correctly.



Important information

When you need support with the configuration of your Radi-Product in RadiMation®, please consult the RadiMation® support team at: Support@radimation.com.

It is also advised to visit the RadiMation® Wiki page and the FAQ section, which can be found at: <https://wiki.radimation.com>

RadiMation® software can be downloaded at: <https://www.raditeq.com/emc-test-software/radimation-download>



Read the contents of this product manual carefully and become familiar with the safety markings, the product instructions and the handling of the system. Please refer to the applicable product manual(s) for further information regarding the operation and control of the product(s).



This product requires a protective earth connection. The mains power source for the equipment must supply an uninterrupted safety ground to the IEC input connector(s).



This equipment is designed to be used as a plug-in card for the RadiCentre® series. Do not use this card on its own or in combination with any other mainframe. Using this product with any other mainframe can cause harm and will void warranty.



To make the product as safe as possible, this plug-in card has its own safety interlock system that is designed to work with the RadiCentre® series.



This product® contains materials that can be recycled and reused to minimize material waste. At the 'end-of-life', specialized companies can dismantle the discarded system to collect the reusable and recyclable materials. If your product is at its 'end-of-life', please return it to your local reseller or to Raditeq for recycling.



For cleaning, use a clean, dry cloth (or a damp cloth where needed) and wipe the surface of equipment.



This product contains embedded software, which is field upgradeable from the RadiCentre® using the USB-A connection port on the backside panel of the RadiCentre®. For more information about updating your Raditeq plug-in card, please read the RadiCentre® manual.



Although the RadiSense® system does not emit any harmful laser light under normal circumstances, never look into any of the fibre optic connectors.



As a safety precaution, products that use a laser can only be turned on using a laser Code. This code can be entered using the touchscreen of the RadiCentre® system (In combination with the RadiCentre® CTR1004B or CTR1009B).



As a safety precaution, the RadiSense® series can be started by following a dedicated starting procedure as described later in the RadiSense® product manual. (In combination with the RadiCentre® CTR1001S)



Make sure that the fibre optic cables are installed correctly before activating the system. Do not activate the system if the fibre optic cables show any sign of damage or tampering.

Please keep this Quick Start Guide close at hand when you operate your Raditeq equipment and instruments. For more information, please consult your product manual or visit www.raditeq.com. Be advised that visuals used as an example and may differ from your product version. Copyright © 2008 - 2021 Raditeq B.V.