



raditeq

Data Sheet

RadiCoupler[®]

CDN | Full Compliant | Magnetic



raditeq.com

08/06/21



RadiCoupler®

Models - CPL M | CPL AF2 | CPL T2 | CPL USB

Coupling Decoupling Network

CDN | Full Compliant | Magnetic

The international basic standard for conducted immunity testing (IEC 61000-4-6) specifies the design and characteristics of a range of coupling / decoupling networks (CDN's). To be able to perform conducted immunity testing on an EUT (Equipment Under Test) with several types of connecting cables, different CDN's are needed. Raditeq offers a complete range of high quality, full compliant and easy-to-use CDN's that enables customers to perform full compliant, simple and reliable conducted immunity testing on any kind of EUT cable.

- Full compliant to CISPR16, IEC61000-4-6, EN55015 and EN55035 standards
- Complete range for different EUT cables (AF, M, S and T)
- Each model covering frequency range 100 kHz up to 300 MHz
- Standard robust N-type RF input connection
- Easy Magnetic-Grounding connection
- Delivered including traceable calibration certificate*
- Calibration adapters included

*Accredited calibration optional

Selection of standard Raditeq CDN's

Cable type	Product Name	Application	Connector EUT port	Connector AE port
Mains	CPL M1 16A	1 line, 16 A	4 mm safety banana	4 mm safety banana
Mains	CPL M2 16A	2 line, 16 A	4 mm safety banana	4 mm safety banana
Mains	CPL M3 16A	3 line, 16 A	4 mm safety banana	4 mm safety banana
Mains	CPL M3 32A	3 line, 32 A	4 mm safety banana	4 mm safety banana
Unscreened	CPL T2	2 line, balanced	4 mm safety banana	4 mm safety banana
Unscreened	CPL T4 RJ11	4 line, balanced	RJ11	RJ11
Unscreened	CPL T8 RJ45	8 line, RJ45	RJ45	RJ45
Screened	CPL S8 RJ45	8 line, RJ45	RJ45	RJ45
Screened	CPL USB-C	USB	USB-B	USB-A
Screened	CPL USB-P	USB	USB-A	USB-B
Screened	CPL USB-3.0-C	USB 3	USB-B 3.0	USB-A 3.0
Screened	CPL USB-3.0-P	USB 3	USB-A 3.0	USB-B 3.0
Screened	CPL HDMI	HDMI	HDMI	HDMI
Unbalanced	CPL AF2	2 line, unbalanced	4 mm safety banana	4 mm safety banana
Unbalanced	CPL AF3	3 line, unbalanced	4 mm safety banana	4 mm safety banana
Unbalanced	CPL AF4	4 line, unbalanced	4 mm safety banana	4 mm safety banana

Non-listed CDN's can be requested by contacting Raditeq.

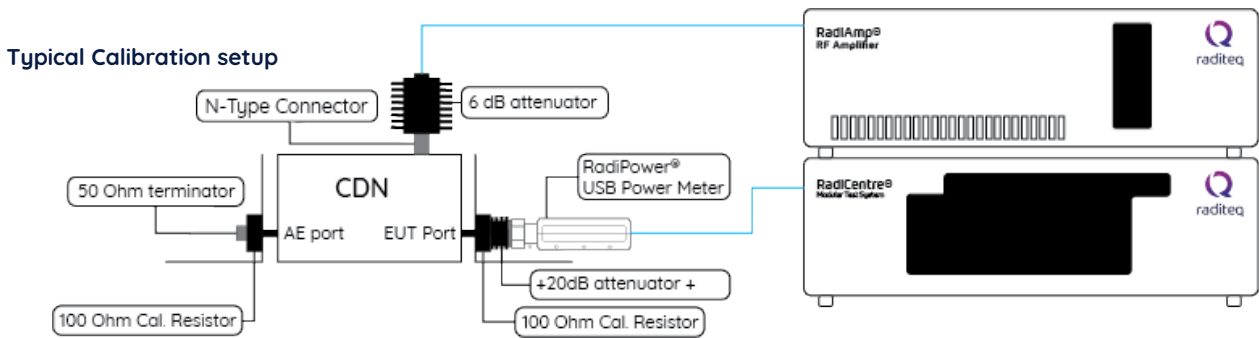
Technical Specifications



Meets the requirements

Standard - CISPR 16-1-2	Value	Frequency	RadiCoupler®
Impedance (magnitude)	150 ± 20 Ω	0,15 - 30 MHz	
Impedance (phase)	± 20 °C	0,15 - 30 MHz	✓
Response	- 9,6 to 12,6	0,15 - 150 MHz	✓
Isolation	> -40 dB	0,15 - 108 MHz	
Standard - IEC 61000-4-6	Value	Frequency	RadiCoupler®
Impedance (magnitude)	150 ± 20 Ω	0,15 - 24 MHz	
	150 ± 60 Ω / -45 Ω	24 - 80 MHz	✓
	150 ± 60 Ω	80 - 230 MHz	
Standard - EN 55015	Value	Frequency	RadiCoupler®
Impedance (magnitude)	150 ± 20 Ω	0,15 - 26 MHz	
	150 ± 0 Ω / -45 Ω	26 - 80 MHz	✓
	150 ± 60 Ω	80 - 300 MHz	
Standard - EN 55020	Value	Frequency	RadiCoupler®
Impedance (magnitude)	150 ± 20 Ω	0,15 - 30 MHz	✓
Impedance (phase)	± 20 °C	0,15 - 30 MHz	✓
Standard - EN 55035	Value	Frequency	RadiCoupler®
Response	± 30 dB	0,15 - 30 MHz	✓
Standard - All Combined	Value	Frequency	RadiCoupler®
Impedance (magnitude)	150 ± 20 Ω	0,15 - 30 MHz	
Impedance (phase)	± 20 °C	0,15 - 30 MHz	✓
Response	- 9,6 to 12,6	0,15 - 150 MHz	✓
Isolation	> -40 dB	0,15 - 108 MHz	

Mechanical Specifications	Dimensions
Dimensions CDN housing (W x H x D)	100 mm x 100 mm x 200 mm
Dimensions CDN outline (W x H x D)	140 mm x 120 mm x 206 mm
Weight	± 1.2 kg



- Standard one year of warranty is given on Raditeq equipment. After you register your new Raditeq product two (2) years of warranty will be added for free resulting in three (3) years of warranty. Registration can be done at: www.raditeq.com



raditeq

Raditeq B.V. | Vijzelmolenlaan 3 | 3447GX Woerden | The Netherlands

www.raditeq.com | T: +31 348 200 100