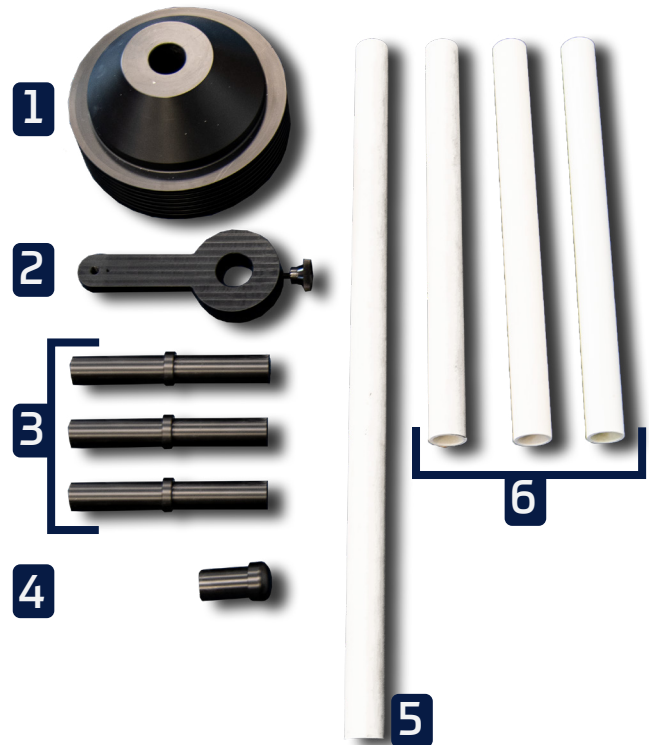


Stand Parts

The Probe stand consist of the following parts:

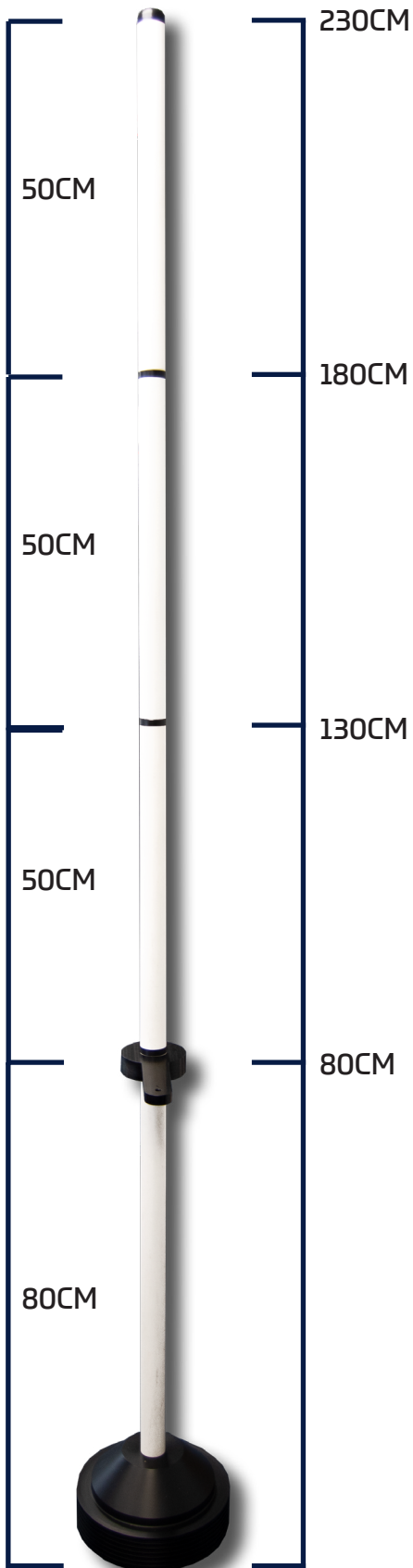
- 1 x Stand foot 1
- 1 x Probe holder 2
- 3 x Tube connector pieces 3
- 1 x Top tube lid 4
- 1 x 80cm tube 5
- 3 x 50cm tube 6



Assembly

1. First place/slide the longest 80 cm into the foot of the stand.
2. Then use the connector pieces to connect the remaining three tubes of 50 cm and end with the lid.
3. Place the probe holder over the tubes and tighten it with the screw at the back.





Tip

The probe holder can be either, moved over the completed tube to match the desired height.

Or can be attached at the last top tube and when height adjustment is needed the separate tubes are added. This way the adjustment of the probe holder is only changed once.

