



raditeq

Data Sheet



# GTEM Bundles

Raditeq GTEM Systems

Bundles - RGT0250A - RGT0500A - RGT1100A

Easy setup

Compliant

Turnkey





# Raditeq's GTEM Bundles

## Turnkey GTEM RI/RE Testing

Easy setup Compliant Turnkey

Designing EMC test systems often proves to be a challenge. Therefore, Raditeq has put together several EMC test bundles, aimed at specific and standardized EMC tests. This enables you to perform EMC tests using a turnkey solution at an affordable price.

**Experience** | Raditeq founded in 1992 and located at Woerden in the center of the Netherlands, has all the experience needed to design and build specific EMC test bundles and guarantee the overall EMC system performance required by the EMC standards. Raditeq has most of the components for each bundle in its own portfolio, ranging from the RadiMation automated EMC test software to the RadiCentre modular test system with all available EMC test and measurement plug-in cards.

**Guaranteed performance** | As Raditeq bundles have been supplied to many customers, Raditeq can fully guarantee the performance of any bundle to deliver the required and full compliance performance.

**Different ranges & test levels** | There is a selection of pre-configured Raditeq GTEM bundles available to enable radiated immunity testing of EUT's with different dimensions. Each bundle covers a wide frequency range from 80 MHz to 6 GHz matching several EMC standards, like the IEC61000-4-3 and ISO11452-2.

**Option emission measurement** | Each GTEM bundle can be optionally expanded for radiated emission testing by adding a spectrum analyser or EMI receiver. The bundle includes a coaxial switch enabling automated switching between radiated emission and radiated immunity testing. The RadiMation Pro software allows emission measurements of the EUT in three orientations (X,Y,Z) and perform an OATS correlation calculation.

**Maintenance & Warranty** | Raditeq offers a three-year warranty on its own system components and a minimum of two years warranty on parts from other parties. However, each installation needs maintenance. Once a bundle is delivered and fully operational, Raditeq can offer a full maintenance package on the complete installation, including calibration to ensure quality and full system availability.

**Training** | The system may be perfect, but in the end the results mainly depend on the people who are working with it. Experienced employees of Raditeq can train your staff how to use the hardware and RadiMation EMC software. Apart from this we can realize specialized trainings starting from CE-marking (Europe) to in depth EMC test & measurement techniques, including EMC troubleshooting. This way you ensure the EMC test system is used to its full capabilities and benefits.



# GTEM | Technical Specifications & Included Products

Included Products	Device type	Description
CTR1009B	Modular Test System	RadiCentre® 7-slot
RGN2006B	Signal Generator	RadiGen® 4 kHz - 6 GHz
RSW1021N	Coaxial Switch cards	1x SPDT N-Type
Bonn Amplifier	RF Power Amplifier	80 MHz - 6000 MHz @ 10, 30 or 50 Watt
RPR2006C	2x Accredited Calibrated Power Meter	RadiPower® 9 kHz - 6 GHz (Forward power) RadiPower® 9 kHz - 6 GHz (Reflected power & calibration)
RSS2010S - Set	Accredited Calibrated LASER powered E-Field Probe	20 MHz - 10 GHz RadiSense® probe
USB1004A	Power Meter & Amp. Control	RadiPower® USB plug-in card
RMP3002A	Automated Software	RadiMation® Pro + RI + RG
RMS2001A	Software support	RadiMation Support/Upgrade service   2 Years

GTEM Model	Size	Frequency Range	Field/ Test Level <sup>⌚</sup>
RGT0250A	250mm septum	80 MHz-6 GHz	up to 30 v/m
RGT0500A	500mm septum		up to 30 v/m
RGT1100A	1100mm septum		up to 18 v/m

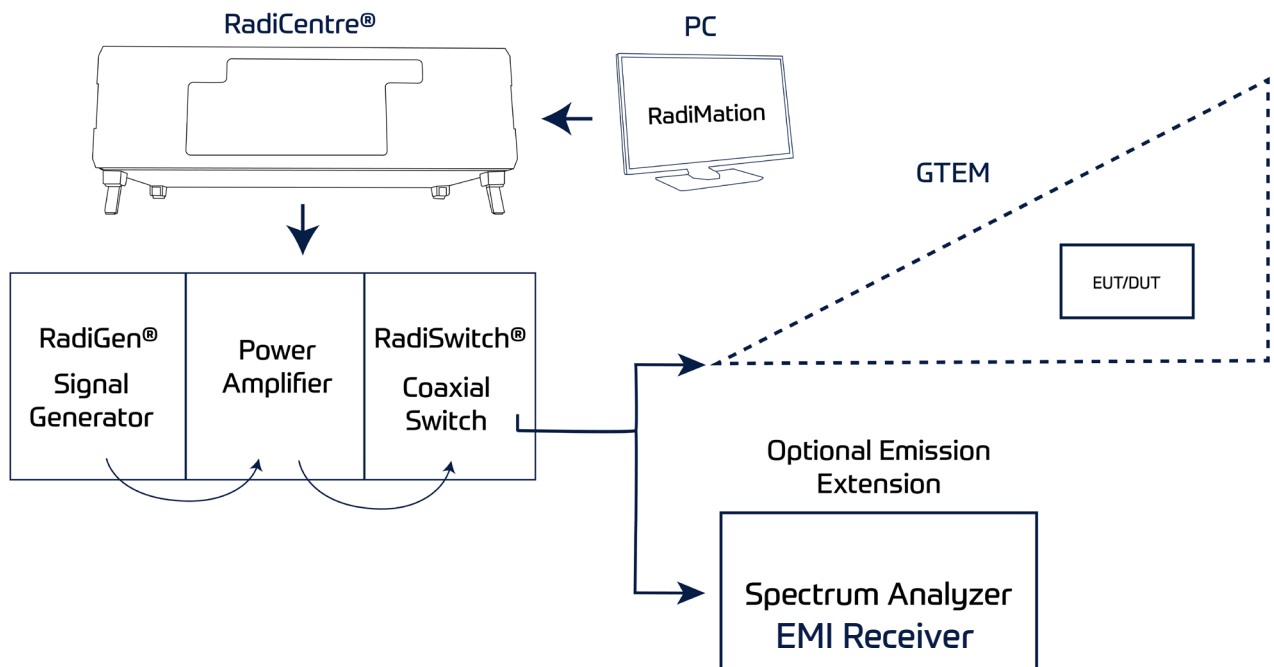
  

Emission Extension	
Pre-Certification	A Pre-Certification Spectrum Analyzer
Compliant	A Compliant Spectrum Analyzer/EMI Receiver

<sup>⌚</sup> Higher field levels on request

Specifications are subject to change without notice

## Example of Setup





Raditeq B.V. | Vijzelmolenlaan 3 | 3447GX Woerden | The Netherlands

[www.raditeq.com](http://www.raditeq.com) | T:+31 348 200 100