



raditeq

Data Sheet



BCI/CI Bundles

Conducted Immunity Test Systems

Bundles - CIB025A - CIB075A - CIB100B - CIB200B

Easy setup

Compliant

Modular





Raditeq's BCI/CI Test Bundles

Turnkey BCI/CI Testing

Easy setup | Compliant | Modular

Designing EMC test systems often proves to be a challenge. Therefore, Raditeq has put together several EMC test bundles, aimed at specific and standardized EMC tests. This enables you to perform EMC tests using a modular solution at an affordable price.

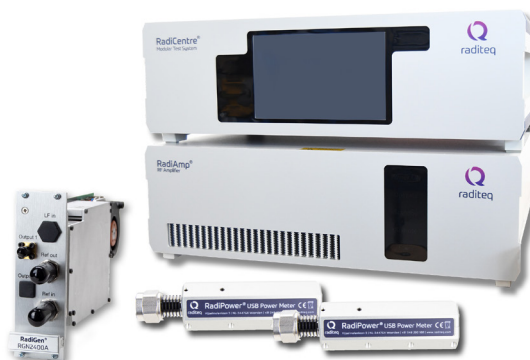
Experience | Raditeq, founded in 1992 and located at Woerden in the center of the Netherlands, has all the knowledge and experience needed to design and build specific EMC test bundles and guarantee the overall EMC system performance required by the EMC standards. Raditeq has the main components for each bundle in its own portfolio, ranging from the RadiMation automated EMC test software to the RadiCentre modular test system with all available EMC test and measurement plug-in cards.

Main System Components | Each bundle is based on the RadiCentre CTR1009B 7-slot modular test system and RadiGen RGN2400A, which provides the RF carrier signal without unwanted glitches or overshoot and has a fast settling time (<1ms) enabling efficient and accurate testing. The RadiAmp RF power amplifier produces the required output power and is equipped with an integrated directional coupler. The actual RF power (fwd/rfl) can be measured and regulated using two RadiPower models RPR2006P power meters. Finally, the bundle includes a RadiMation Pro USB license with the test modules for conducted immunity testing in accordance to several EMC test standards and automated test report generation.

Different ranges & test levels | There is a selection of pre-configured Raditeq bundles available that covers the different frequency ranges and test levels that are defined on the EMC standards, like conducted immunity testing based on the IEC61000-4-6 using CDN's and/or BCI testing based on the MilStd. 461 / DO-160 / ISO11452-4.

Guaranteed performance | As Raditeq bundles have been supplied to many customers, Raditeq can fully guarantee the performance of any bundle to deliver the required and full compliance performance.

Maintenance & Warranty | Raditeq offers a three-year warranty on its own system components and a minimum of two years warranty on parts from other parties. However, each installation needs maintenance. Once a bundle is delivered and fully operational, Raditeq can offer a full maintenance package on the complete installation, including calibration to ensure quality and full system availability.



BCI/CI Technical Specifications & Included Products

Included Products	Device type	Description
CTR1009B	Modular Test System	RadiCentre® 7-slot
RGN2400A	RF Signal Generator	RadiGen® 9 kHz - 400 MHz
RPA0925A RPA0940A	RF Power Amplifier	RadiAmp® 9 kHz - 250 MHz @ 25 or 75 Watt RadiAmp® 9 kHz - 400 MHz @ 100 or 200 Watt
RPR2006P	2x Power Meter	RadiPower® 9 kHz - 6 GHz (Forward power) RadiPower® 9 kHz - 6 GHz (Reflected power & calibration)
BCI1004A	Power Meter & Amp. Control	RadiPower® BCI plug-in card
RMP3002A	Automated Software	RadiMation® Pro + CI + RG
RMS2001A	Software support	RadiMation Support/Upgrade service 2 Years

Bundle Code	Typical Test Levels*	Applicable Standards
-------------	----------------------	----------------------

Conducted Immunity Test Bundles

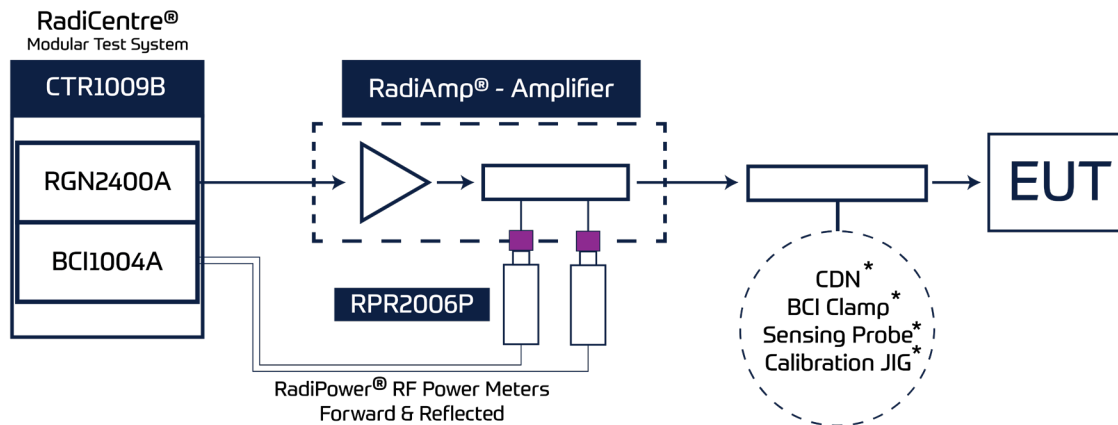
CIB025A	25 Watt up to 18 V	IEC61000-4-6 IEC61000-6-1 EN55014-2 EN55035 EN61326-1 EN60601-1-2
CIB075A	75 Watt up to 30 V	IEC61000-4-6 IEC61000-6-2

Conducted Immunity & Bulk Current Injection Test bundles

CIB100B	100 Watt up to 400 mA / 112 dbµA	ISO11452-4 Mil-Std 461 CS114
CIB200B	200 Watt up to 600 mA / 115 dbµA	ISO11452-4 Mil-Std 461 CS114

*Depending on coupling devices used

Example of Setup



* Not included in Bundle



Raditeq B.V. | Vijzelmolenlaan 3 | 3447GX Woerden | The Netherlands

www.raditeq.com | T:+31 348 200 100