



raditeq

Data Sheet



BCI/CI Bundles

Conducted Immunity Test Systems

Bundles - CIB025A - CIB075A - BCI140A - BCI240A

Easy setup

Compliant

Turnkey



Raditeq's BCI/CI test Bundles

Turnkey BCI/CI Testing

Easy setup | Compliant | Turnkey

Designing EMC test systems often proves to be a challenge. Therefore, Raditeq has put together several EMC test bundles, aimed at specific and standardized EMC tests. This enables you to perform EMC tests using a turnkey solution at an affordable price.

Experience | Raditeq, founded in 1992 and located at Woerden in the center of the Netherlands, has all the knowledge and experience needed to design and build specific EMC test bundles and guarantee the overall EMC system performance required by the EMC standards. Raditeq has most of the components for each bundle in its own portfolio, ranging from the RadiMation automated EMC test software to the RadiCentre modular test system with all available EMC test and measurement plug-in cards.

Different ranges & test levels | There is a selection of pre-configured Raditeq bundles available that covers the different frequency ranges and test levels that are defined on the EMC standards, like conducted immunity testing based on the IEC61000-4-6 using CDN's and/or BCI testing based on the MilStd. 461 / DO-160 / ISO11452-4.

Guaranteed performance | As Raditeq bundles have been supplied to many customers, Raditeq can fully guarantee the performance of any bundle to deliver the required and full compliance performance.

Maintenance & Warranty | Raditeq offers a three-year warranty on its own system components and a minimum of two years warranty on parts from other parties. However, each installation needs maintenance. Once a bundle is delivered and fully operational, Raditeq can offer a full maintenance package on the complete installation, including calibration to ensure quality and full system availability.

Training | The system may be perfect, but in the end the results mainly depend on the people who are working with it. Experienced employees of Raditeq can train your staff how to use the hardware and RadiMation EMC software. Apart from this we can realize specialized trainings starting from CE-marking (Europe) to in depth EMC test & measurement techniques, including EMC troubleshooting. This way you ensure the EMC test system is used to its full capabilities and benefits.



BCI/CI Technical Specifications & Included Products

Included Products	Device type	Description
CTR1004B	Modular Test System	RadiCentre® 2-slot
RGN2400A	RF Signal Generator	RadiGen® 9 kHz - 400 MHz
RPA0925A RPA0940A	RF Power Amplifier	RadiAmp® 9 kHz - 250 MHz @ 25 or 75 Watt RadiAmp® 9 kHz - 400 MHz @ 100 or 200 Watt
RPR2006C	2x Power Meter	RadiPower® 9 kHz - 6 GHz (Forward power) RadiPower® 9 kHz - 6 GHz (Reflected power & calibration)
BCI1004A	Power Meter & Amp. Control	RadiPower® BCI plug-in card
RMP3002A	Automated Software	RadiMation® Pro + CI + RG
RMS2001A	Software support	RadiMation Support/Upgrade service 2 Years

Bundle Code	Typical Test Levels	Applicable Standards
-------------	---------------------	----------------------

Conducted Immunity Test Bundles

CIB025A	25 Watt up to 18 V	IEC61000-4-6 IEC61000-6-1 EN55014-2 EN55035 EN61326-1 EN60601-1-2
CIB075A	75 Watt up to 30 V	IEC61000-4-6 IEC61000-6-2

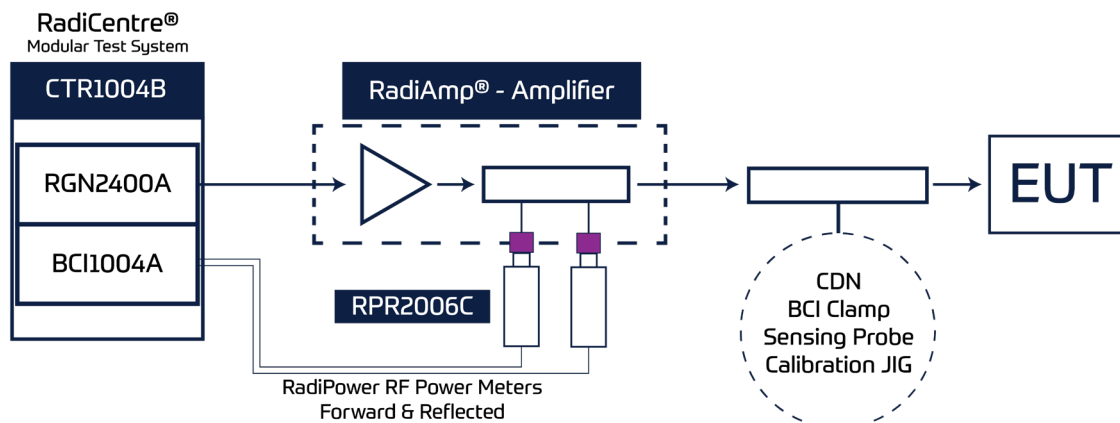
Bulk Current Injection Test bundles

BCI140A	100 Watt up to 400 mA / 112 dbµA	ISO11452-4 Mil-Std 461 CS114
BCI240A	200 Watt up to 600 mA / 115 dbµA	ISO11452-4 Mil-Std 461 CS114

CI Bundle includes	BCI Bundle includes
CDN M3 - 16 A	BCI Clamp
Antennuator 6 dB	Sensing Probe
CDN Calibration set	Calibration JIG

Specifications are subject to change without notice

Example of Setup





Raditeq B.V. | Vijzelmolenlaan 3 | 3447GX Woerden | The Netherlands

www.raditeq.com | T:+31 348 200 100